

### Bushing Data:

Rated Voltage	245	kV
Phase to-earth Voltage	170	kV
Dry Lightning Impulse 1,2/50µs	750	kV
Wet Switching Impulse	525	kV
Wet Power frequency AC	330	kV
Routine test Imin dry 50Hz	365	kV
Rated Current	3150	A
Creepage Distance	4795	mm
Mass	355	kg

### Ordering Data:

<b>BUSHING</b>	COLOUR AIR INSULATOR
LF121059 -B / -AB	BROWN / LIGHT GREY
<b>OUTER TERMINAL</b>	
	H2 D2
	(mm) (mm)
LF170 073-A Al	125 60
LF170 073-B Cu	125 60
LF170 073-G Cu/Ag	125 60
OTHER TYPES ON REQUEST	

### END-SHIELD

LF170 046-U EPOXY INSULATED
LF170 046-UP INSULATED WITH 3 mm PRESSBOARD

### DRAW ROD SYSTEM

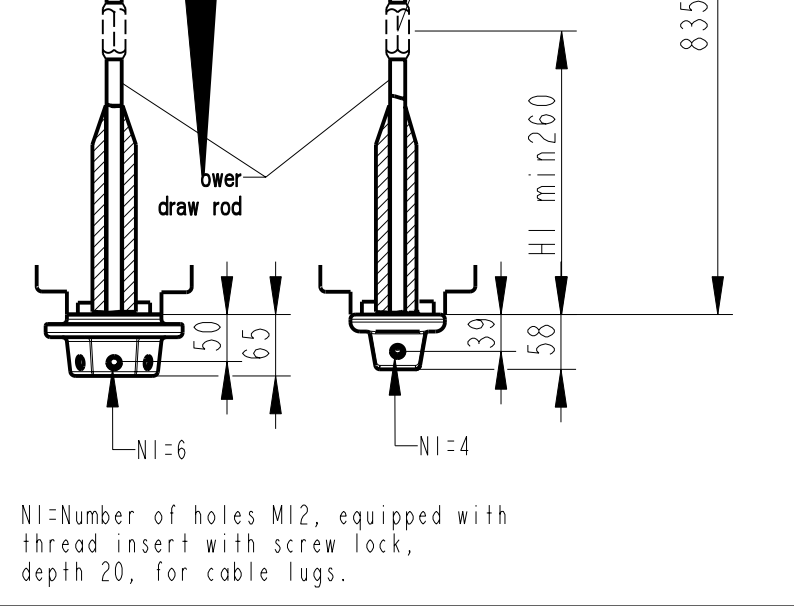
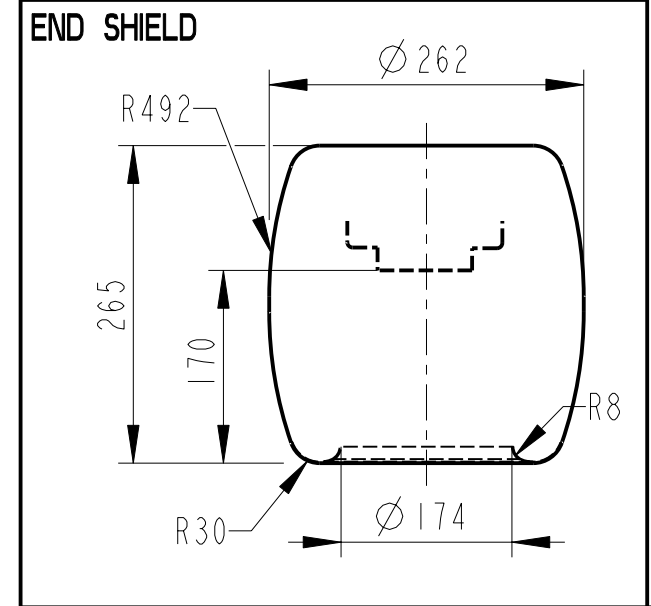
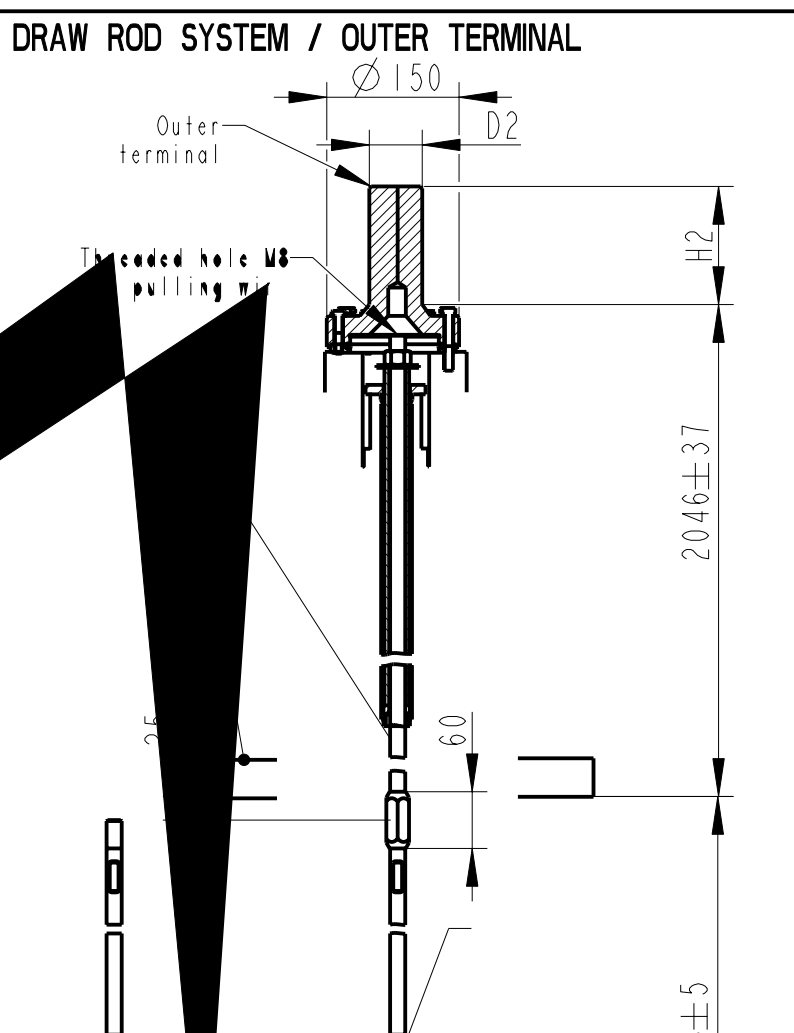
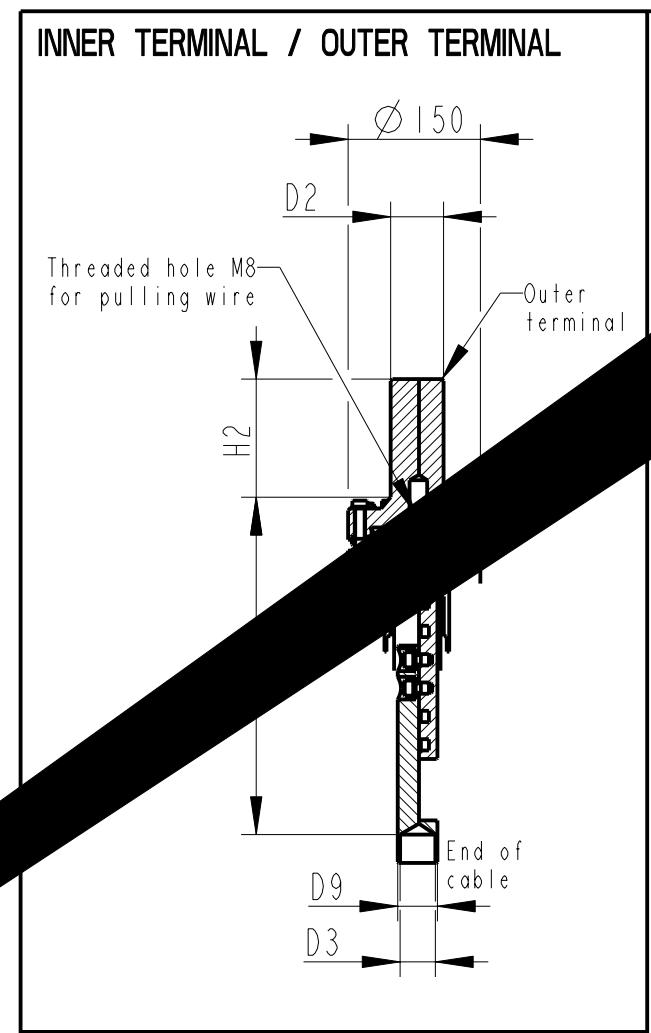
LF170 059 LOWER DRAW ROD WITH NI=6
LF170 057 UPPER DRAW ROD

### INNER TERMINAL

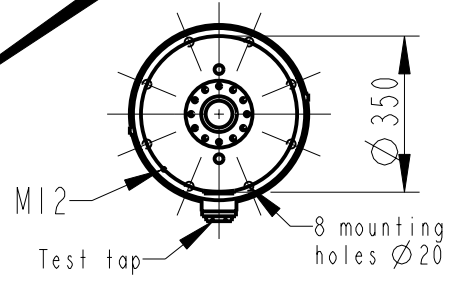
D3 (mm)	D4 (mm)	Cond. area (mm <sup>2</sup> )	Current (A) IEC	IEEE
45	-	-	-	-
45	600	1600	1360	

\*) PILOT HOLE D=5

ABB Components		Ludvika, Sweden	
Ur-ty	Nb.	A 50-60 Hz	
U	kV SI	kV AC	kV
M	kg L	mm D	
CI	pF Tanδ		
C2	pF Tanδ		



NI=Number of holes M12, equipped with thread insert with screw lock, depth 20, for cable lugs.



We reserve all rights in this document and in the information contained therein. Reproduction, use or disclosure to third parties without express authority is strictly forbidden. ©ABB

Based on	Reg. No.	Title	
Prepared Lövnord	Responsible department COM/BK 0022	GOE-750-600-3150-0.3	
Approved Johansson	Take over department		Language 82
Design engineering review Gutman	Database		Page 1(1)
ABB Components		Document No.	2751369-69